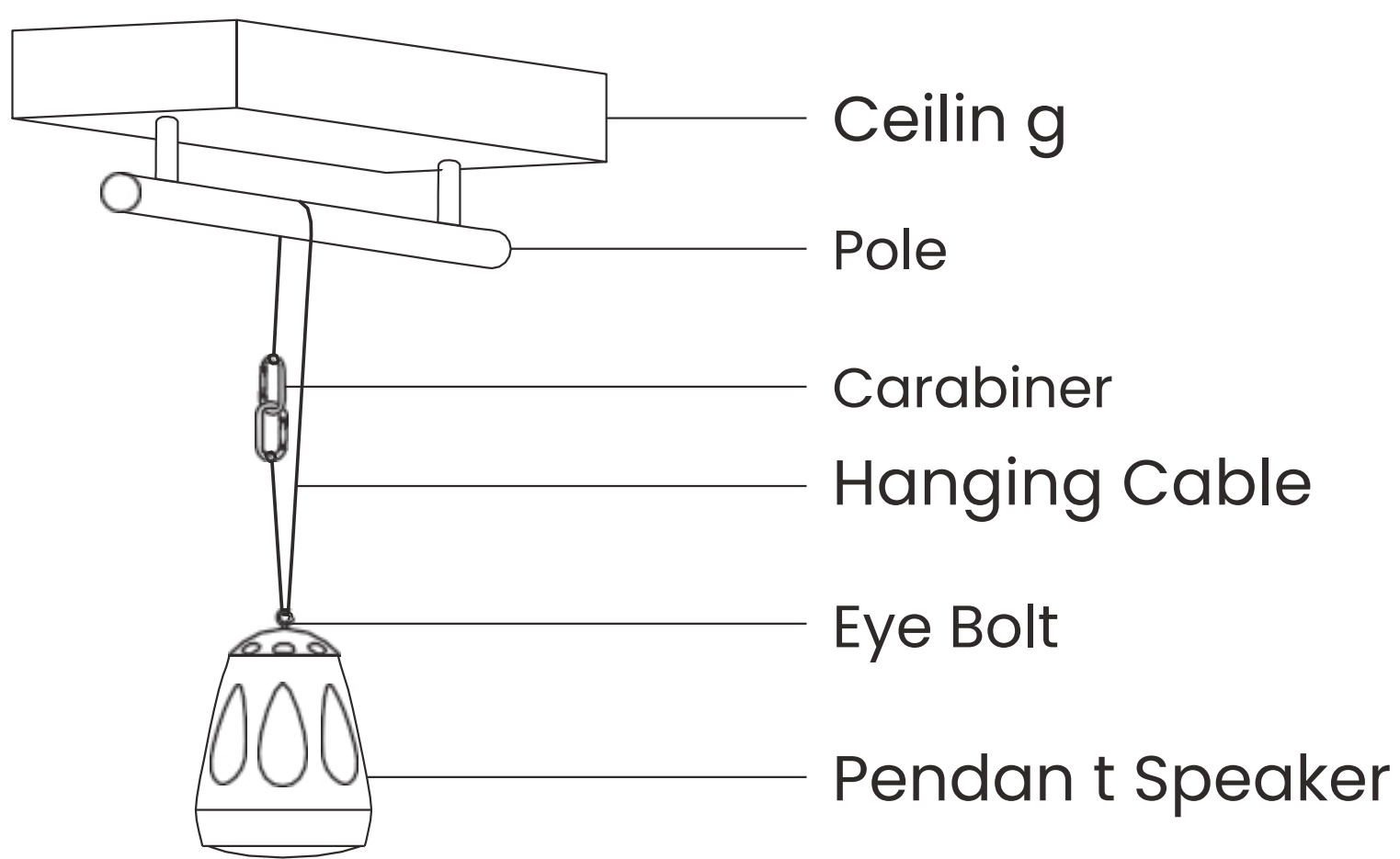


FIXED / PENDANT SPEAKER

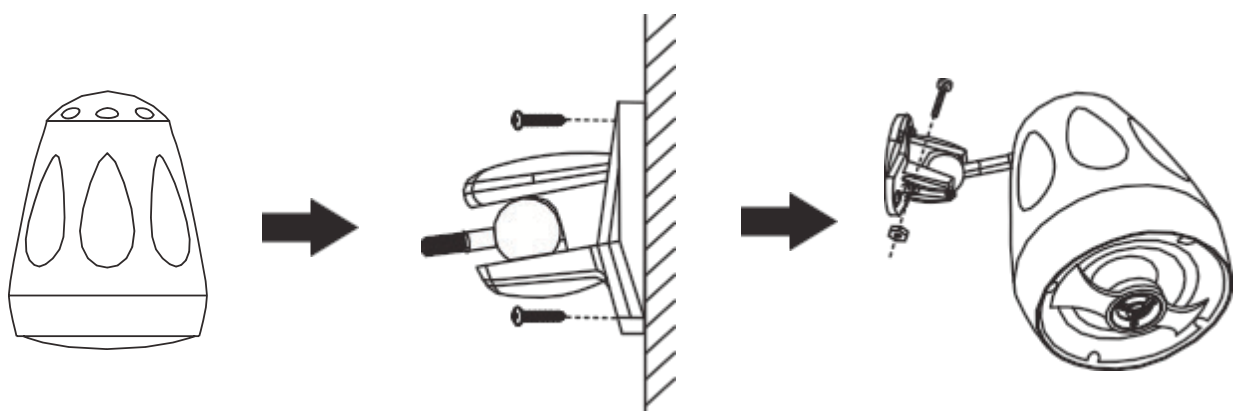


Specifications

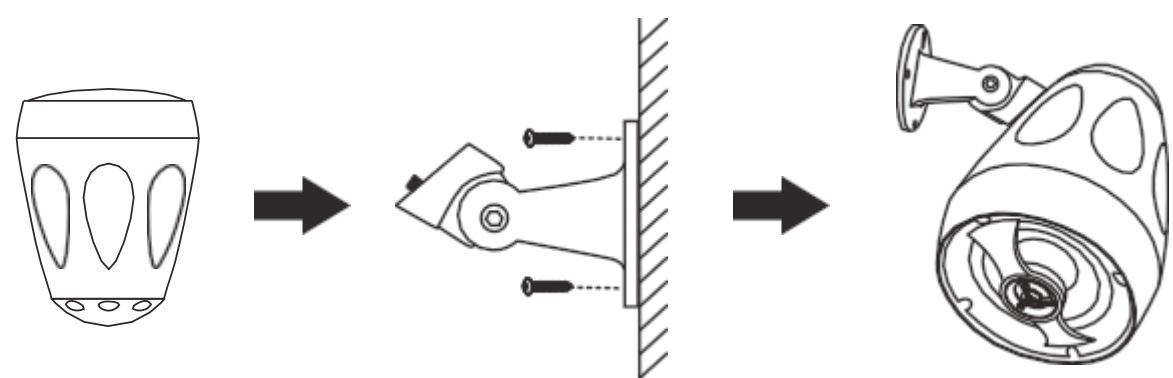
Model	HS-3504
Woofer	5.25" PP Cone
Tweeter	1" Silk Dome
RMS Power	30W
Frequency Response	110Hz-20kHz
Nominal Impedance	8Ω
Sensitivity (1M/1W)	84dB
Transformer	C70V: 1.87W-3.75W-7.5W-15W-NC & 8Ω C100V: 3.75W-7.5W-15W-30W-NC & 8Ω
Product Dimension	170x170x240mm (6.7"x6.7"x9.4")
Weather proof	Ip66 rated

Mounting Information

For 4"/5.25" speaker



For 6.5" speaker



When mounting the speaker to the wall, make sure the proper screws/bolts are used.